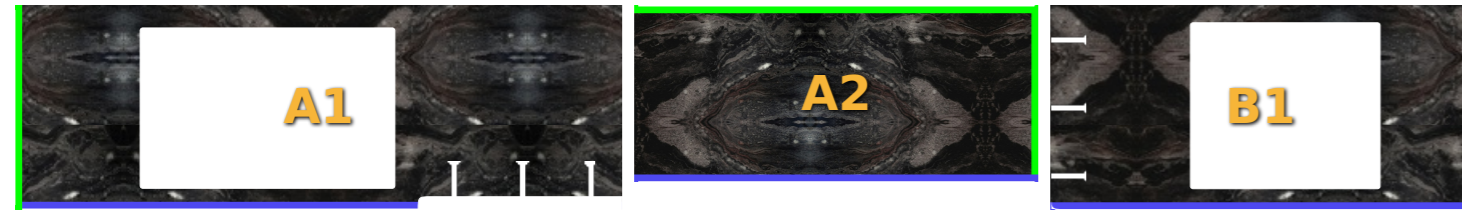
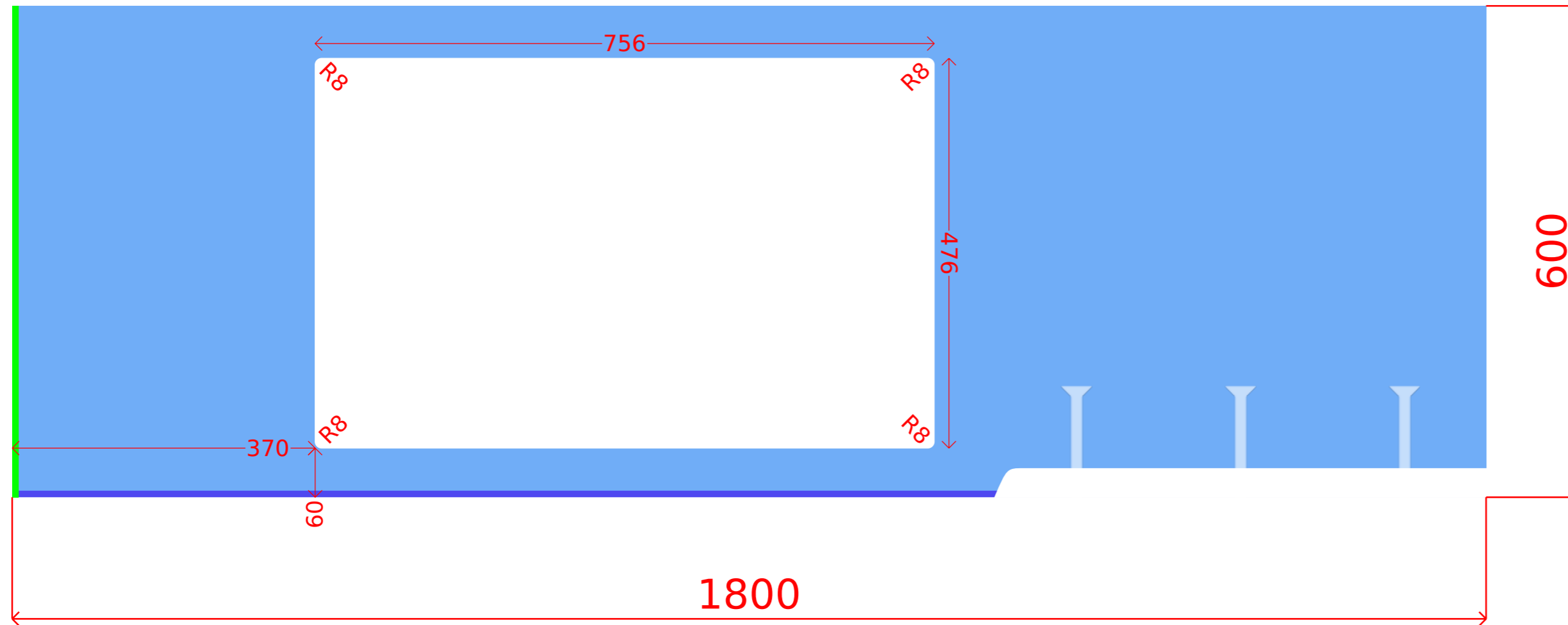


Reference	Design Status	Created	Confirmed
B315313857	Posted to WEX	Nov. 28, 2021, 1:28 p.m.	Dec. 3, 2021, 3:18 p.m.





Worktop Sink - Megara Black Marble Effect (WS-LA-3600-600-38-MAGA)

Initial worktop blank - 3600mm / 600mm / 38mm

■ **Rounded Edge (Default Edging)**

Default Edging Positions: Front Edge

Offcut - ID: 2636755

Length cut to: 1800mm

Mitre Join - ID: 2636812

Position: Front Right

Edging - ID: 2636939

Position: Left Edge

Edge Profile: Square Edge - Standard

Overmounted Sink - ID: 2636770

Distance from Back Edge: 64mm

Distance from Left Edge: 370mm

Distance from Front Edge: 60mm

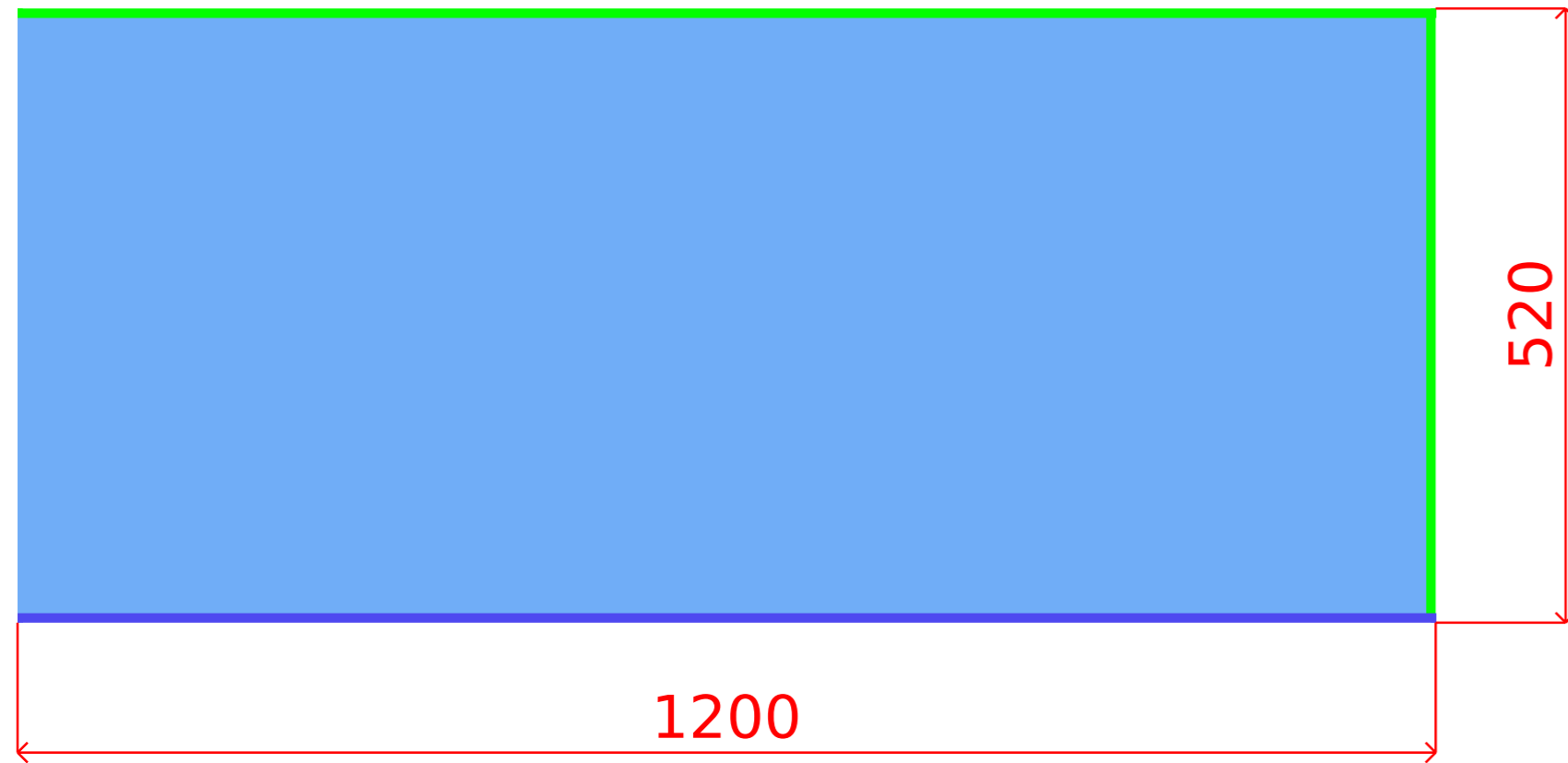
Distance from Right Edge: 674mm

Length: 756mm , Width: 476mm

Worktop Section 1

Material: Megara Black Marble Effect

Dimensions: 3.6M X 600mm X 38mm



Worktop b/bar - Megara Black Marble Effect (WS-LA-3600-600-38-MAGA)

Initial worktop blank - 1795mm / 600mm / 38mm

■ **Rounded Edge (Default Edging)**

Default Edging Positions: Front Edge

Additional Cut - ID: 2636851

Length cut to: 1200mm

Additional Cut - ID: 2636852

Width cut to: 520mm

Edging - ID: 2636853

Position: Back Edge

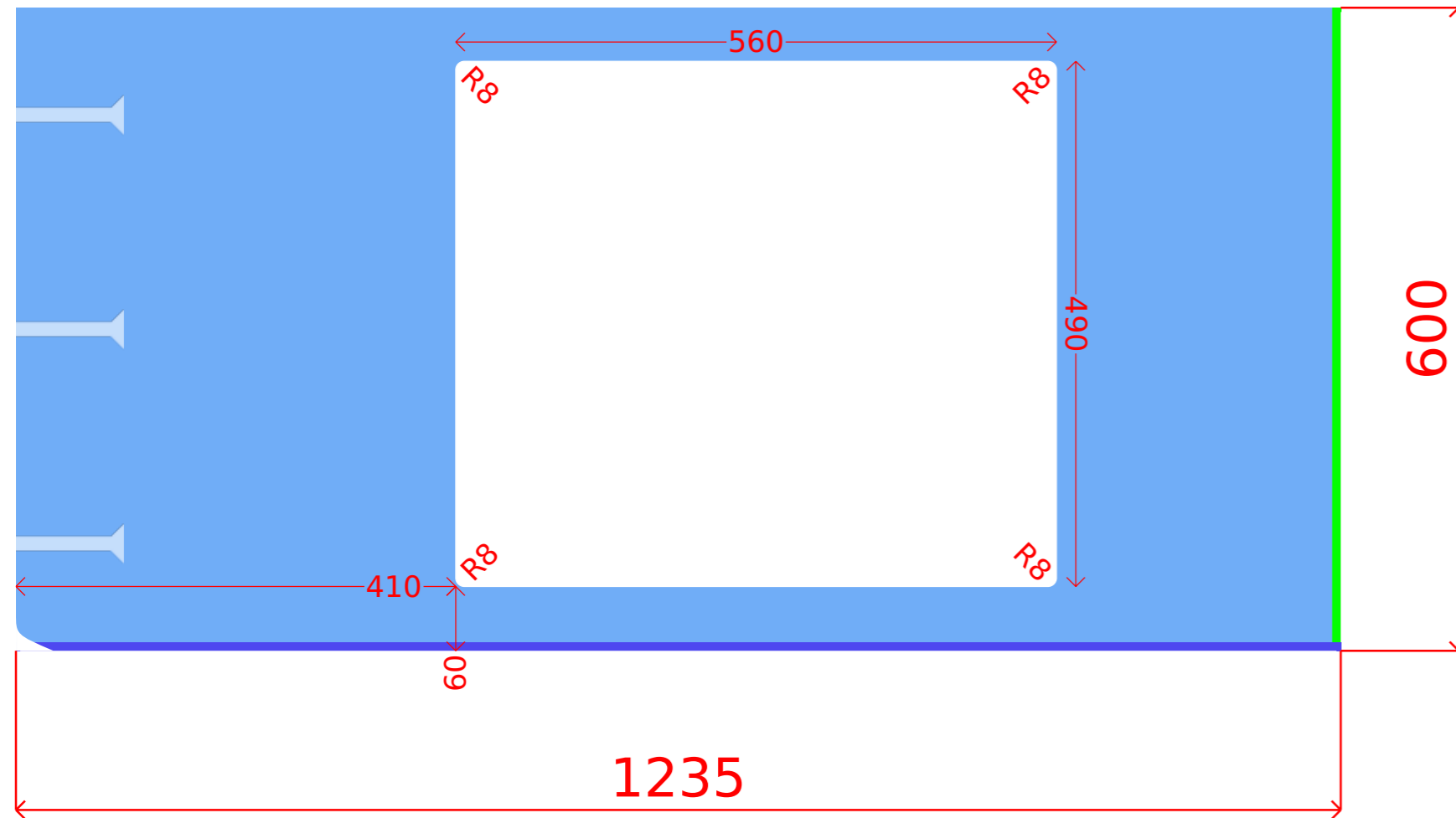
Edge Profile: Square Edge - Standard

Edging - ID: 2636854

Position: Right Edge

Edge Profile: Square Edge - Standard

Worktop Section 1
Material: Megara Black Marble Effect
Dimensions: 3.6M X 600mm X 38mm



Worktop hob - Megara Black Marble Effect (WS-LA-3000-600-38-MAGA)

Initial worktop blank - 3000mm / 600mm / 38mm

■ **Rounded Edge (Default Edging)**

Default Edging Positions: Front Edge

Cut - ID: 2636794

Length cut to: 1235mm

Hob - ID: 2636806

Distance from Back Edge: 50mm

Distance from Left Edge: 410mm

Distance from Front Edge: 60mm

Distance from Right Edge: 265mm

Length: 560mm , Width: 490mm

Mitre Join - ID: 2636811

Position: Middle Left

Edging - ID: 2636941

Position: Right Edge

Edge Profile: Square Edge - Standard

Worktop Section 2
Material: Megara Black Marble Effect
Dimensions: 3M X 600mm X 38mm